

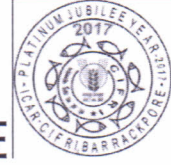


**ICAR-CENTRAL INLAND FISHERIES RESEARCH INSTITUTE
(INDIAN COUNCIL OF AGRICULTURAL RESEARCH)**

BARRACKPORE : KOLKATA - 700 120

Phone No. (033) 2592 1190/1191

E-mail : cifri@vsnl.com, Website : cifri.res.in



F. No. 1/1/2018-19/S/Furniture/

Dated 19th July, 2018

ADDENDUM

The notification for procurement of the following Instrument has been issued on 3rd July, 2018:-

Sl. No.	Name of the Equipment (Unit to be purchased)	EMD (₹)	Last date of submission of e-tender	e-Tender ID
1	Furniture (Sl. No. 1 to 4)	60,000/-	27.07.18 at 11.00 am	2018_DARE_355743_1

On the basis of Pre-bid conference held on 13th July, 2018, the clarifications with regard to the specification of the Furniture items are stated below:-

1. **Item No. 1, Modular designed "work Double laboratory table"**:- a) The dimension of the item may be considered as 8' x 5' x 2.8' (L x B x H) i.e. in feet, height is from base to table top, b) Reagent Rack:- 6 feet x 1 feet x 2.5 feet (LxBxH) placed at Centre of Table with two racks at 1.0 feet interval starting from table top, c) Drawers and cabinets:- 2 drawers and 2 cabinets in each side, 3 feet wide with 2 feet leg space in the Centre of the table, d) Material:- Good quality steel, table top with jet black granite single stone with smoothen edges (Green Guard Certificates, NABL accredited, salt spray test reports). Design enclosed at Annexure.

2. **Item No. 2, Modular Workstation at GIS Laboratory**:- a) Thickness of the partition will be 70 mm \pm 10 mm, b) Glass Separator of 6 mm thickness, c) No provision for Chair with the Workstation, d) There should be provision for Electrical connection in the Workstation, fitted with 6 module board, internal wiring should be made of good quality wires like Havels or Northwest, e) Workstation material should be CRCA, f) There should be internal LAN connection.

3. **Item No. 3, Modular Workstation at Pension Cell and Audit Section**:- :- a) Thickness of the partition will be 70 mm \pm 10 mm, b) Glass Separator of 6 mm thickness, c) There should be provision for Electrical connection in the Workstation, fitted with 6 module board, internal wiring should be made of good quality wires like Havels or Northwest, d) Workstation material should be CRCA, e) There should be internal LAN connection.

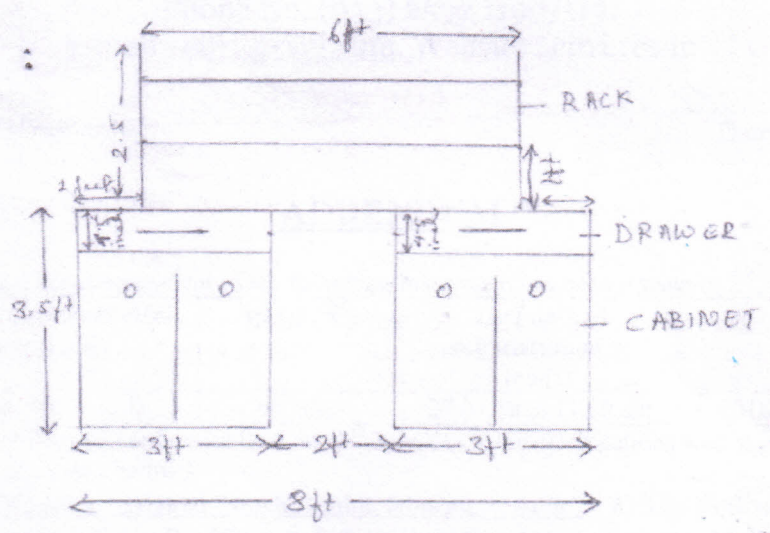
4. **Item No. 4, Wall hanging storage cabinet**:- :- a) Material should be made of CRCA.

All the aforementioned products should possess BIFMA Level-3 and Green Guard Certification.

(Rajeev Lal)

Chief Administrative Officer

SIDE VIEW OF ISLAND TABLE



TOP VIEW

